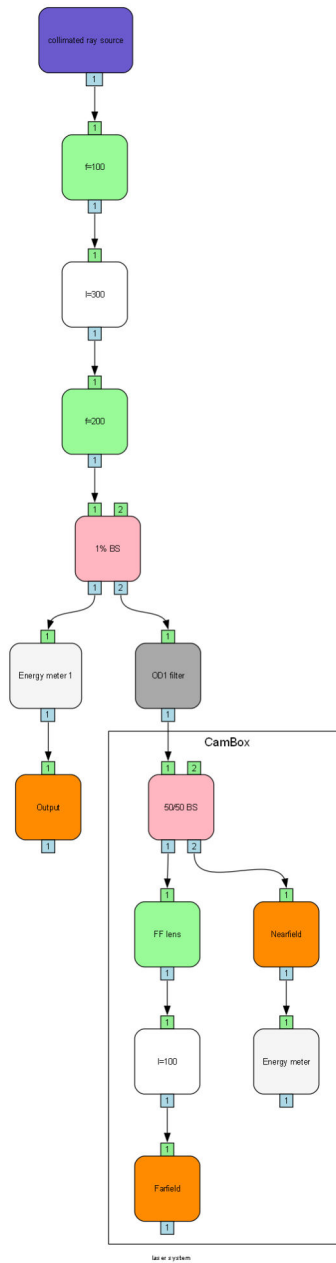


Scenery: laser system



Detectors

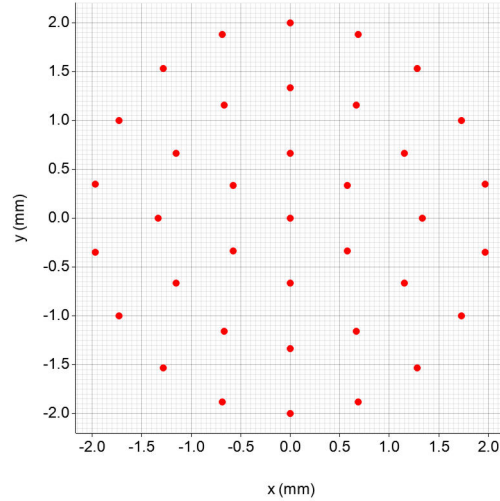
Energy meter 1 - energy meter

Energy (J): 990.000 mJ

Model: ideal energy meter

Output - spot diagram

Spot diagram:



centroid x: 0.000 m

centroid y: 0.000 m

geo beam radius: 2.000 mm

CamBox - group

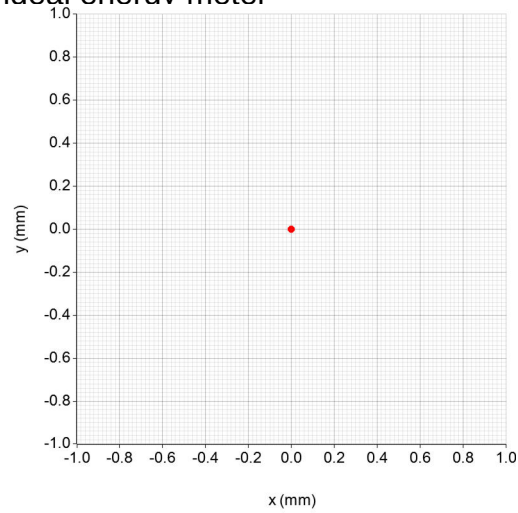
Energy meter:

Energy (J): 500.000 uJ

Model: ideal enerav meter

Farfield:

Spot diagram:



centroid x: 0.000 m

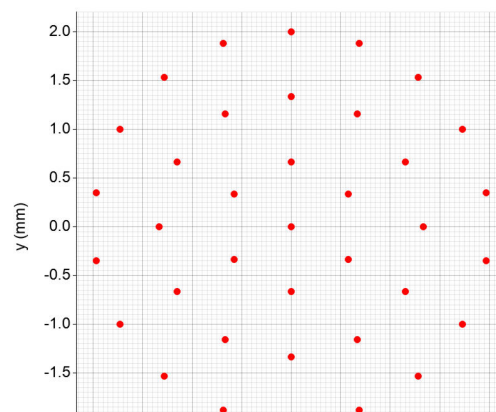
centroid y: 0.000 m

geo beam radius: 0.000 m

radius:

Nearfield:

Spot diagram:



centroid x: 0.000 m
centroid y: 0.000 m
geo beam 2.000 mm
radius: